

JI-120T

Print / Save as PDF

If you want to save to PDF, please select 'Save as PDF' when the print dialog opens.

IP transmitter for RTSP cameras

switch to the manual for the JABLOTRON 100+ system

*The product is a component of the **JABLOTRON** system. It is used to connect third-party cameras via RTSP protocol to the JABLOTRON cloud. The image is transmitted via LAN and Internet to a secure server storage. The user has access to live video via the MyJABLOTRON application, to recordings created based on set events and, according to the subscription service, to continuously stored recordings for each of the connected cameras. The converter sends the recording to the cloud. The product is designed to be installed by a trained technician with a valid Jablotron certificate.*

Installation

1. Select a suitable location for the JI-120T. If it is a horizontal surface, place the product on the chosen place. In case of fixing the product with screws to the wall, please study the manual carefully before mounting under the QR code below.
2. Insert the product adapter into the socket and insert the USB-C connector into the device (1).
3. Connect the JI-120T to network with internet access using the LAN connector (3) – LAN cable included.

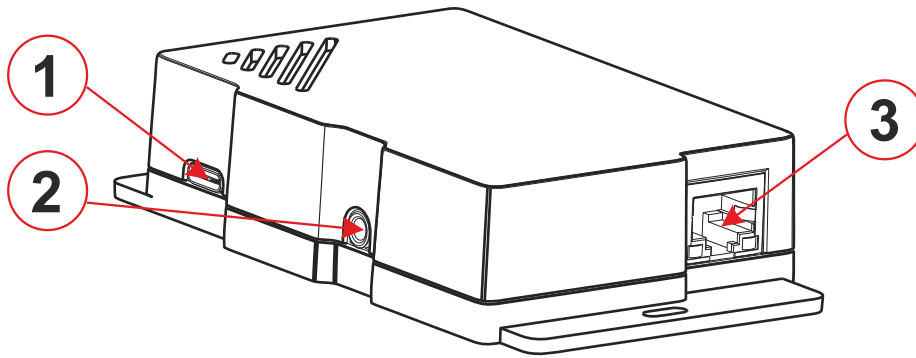


Fig. 1: Description of external parts of the product
1 – USB-C power; **2** – speaker input; **3** – LAN connector;

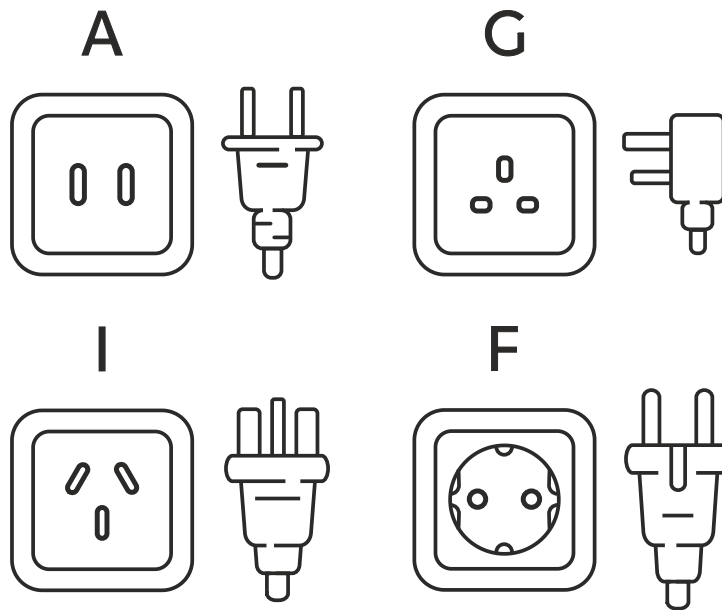



Fig. 2: Terminals of the included adapters
A – USA; **G** – Great Britain; **I** – Australia; **F** – EU;

Enrolment to the system and settings

Depending on the type of control panel, use the recommended software or application.

Technical specification

Power	USB-C, 5 V DC / 3 A
Quiescent current consumption	400 mA
Maximal current consumption	3 A

Dimensions	116 x 67 x 26 mm
Weight	94 g
Environment	indoor general
Operating temperature range	0 °C to +50 °C
Average operating humidity	75% RH, without condensation
Max. stream bandwidth	20 Mbit
In compliance with	EN IEC 63000, ETSI EN 301 489-1, ETSI EN 301 489-17, ETSI EN 301 893, ETSI EN 301 328, EN 62311, IEC EN 62368-1
Recommended screw	2 x  ø 3.5 x 40 mm (cylindrical/half round head)



JABLOTRON ALARMS, a. s. hereby declares that the product JI-120T is in a compliance with the relevant European Union harmonization legislation: Directives No: 2014/53/EU, 2011/65/EU. The original of the conformity assessment can be found at www.jablotron.com – the Downloads section.



Note: Disposing of this product correctly will help save valuable resources and prevent any potential negative effects on human health and the environment, which could otherwise arise from inappropriate waste handling. Please return the product to the dealer or contact your local authority for further details of your nearest designated collection point.

JI-120T

MZZ540100
(13.09.2024)